



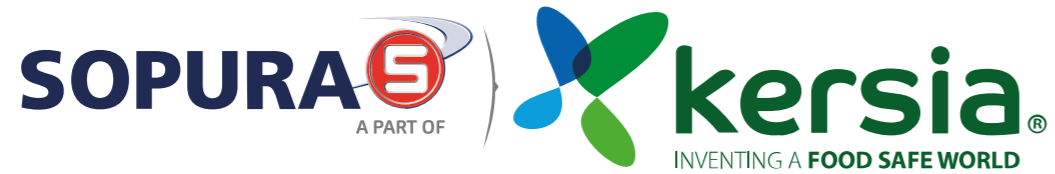
JETCOAT

Application equipment

- Reduction of scuffing effect
- Extended Bottle-Life



Beverage
INDUSTRY



KERSIA
55, Boulevard Jules Verger
35803 DINARD
FRANCE

Tel: +33 (0)2 99 16 50 00
contact@kersia-group.com

www.kersia-group.com

BOTTLE SHINE

Complete Program for Glass Protection and Optimized masking to

- protect Brand image
- optimize Global Cost
- preserve Bottle Resources

BOTTLE SHINE PROGRAM



GLASS PROTECTION

Bottle washing additive MIX EC

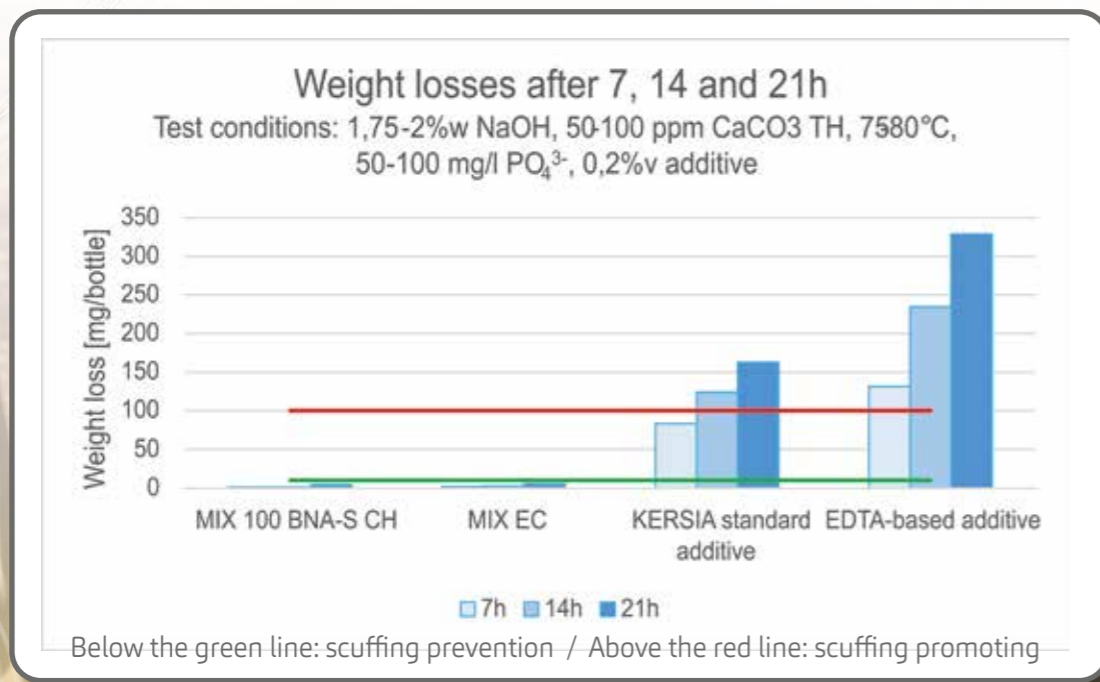
MIX EC

- MIX EC as detergent and glass protection additive
- MIX EC contains an antifoaming agent
- For an optimal glass protection solution
- Protective approach on new bottles
- Proactive approach on scuffed bottles

Anti-scuffing additive



Standard additive



BENEFITS



- Additive to improve detergency of caustic solutions in bottle washing
- Glass protection properties
- EDTA-free
- TCO savings
- Reduced impact on wastewater treatment plant

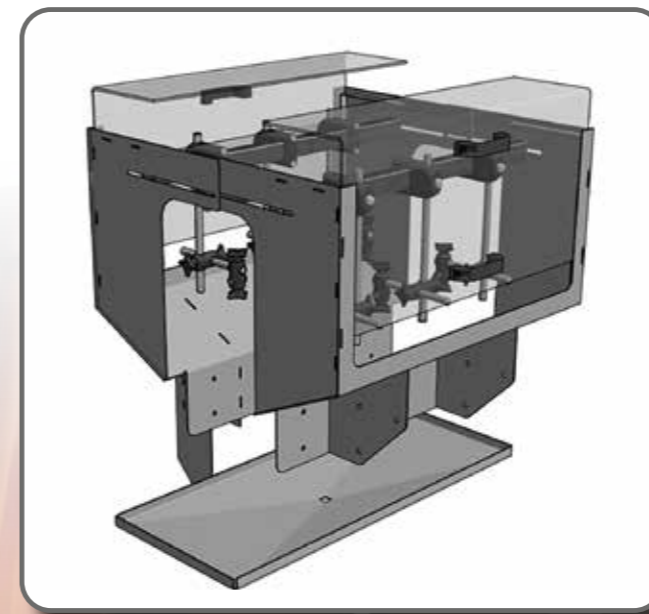


SCUFF MASKING SOLUTIONS

Innovative masking product SOPURMASK and adapted application equipment JETCOAT

JETCOAT

- Modular equipment for easy installation
- No line modification
- Low consumption through
 - Nozzles with pulse modulation
 - Dosing based on the line speed



SOPURMASK

- Food safe product
- Ice bucket and condensation resistant coating
- Applicable before or after labeler on cold or warm bottles
- No impact on bottle washing and wastewater treatment plant

